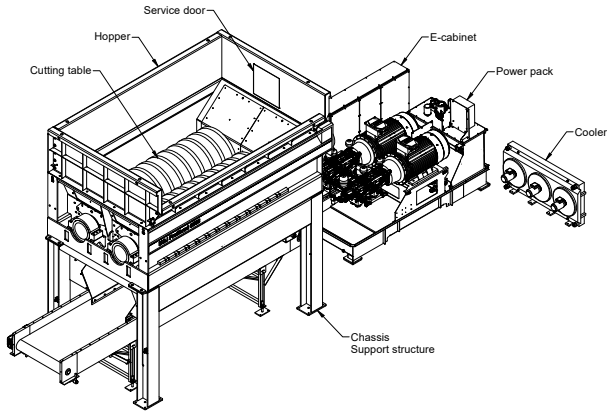
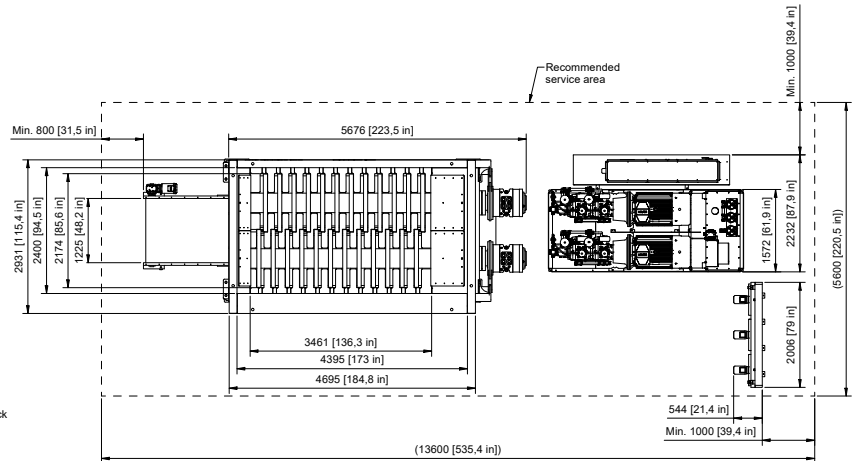
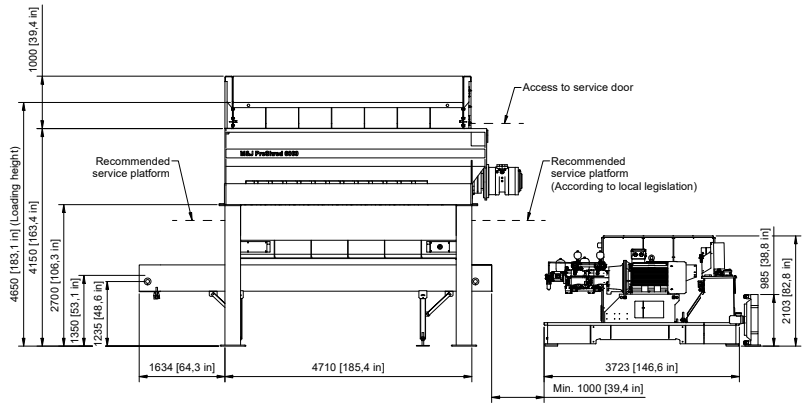


# M&J PreShred 6000S

Waste Pre-Shredders from M&J Recycling





| Specification                             |     |                                 |
|---|-----|---------------------------------|
| Overall dimension std with hopper (LxWxH) | mm  | 7740 x 2700 x 4150              |
| Weight (total included standard conveyer) | ton | 34.3 – 39.2                     |
| Standard colour                           | RAL | 7011, 9002                      |
| Loading height (without hopper)           | mm  | 4150                            |
| Cutting area                              | mm  | 3461 x 2400                     |
| Power pack                                |     |                                 |
| Electric motor                            | kW  | 400 / 500                       |
| Electric control unit                     |     | PLC                             |
| Drive principle                           |     | Double hydrostatic transmission |
| Chassis                                   |     |                                 |
| Standard belt conveyer (LxW)              | mm  | 6250 x 1200                     |
| Discharge height                          | mm  | 1235                            |
| Discharge width                           | mm  | 1200                            |
| Weight (included / exclusive conveyor)    | ton | 4.5 / 3.3                       |

## M&J PreShred 6000S



Tachi



Dragon sword



Classic



Samurai



Cutting table 9 knives



Cutting table 16 knives

### Cutting Table

|                          |     |                   |
|--------------------------|-----|-------------------|
| Number of shafts         |     | 2                 |
| Rotating speed           | rpm | Up to 32          |
| Number of knives         |     | 9 / 12 / 14 / 16  |
| Number of counter knives |     | 18 / 24 / 28 / 32 |
| Cutting area (LxW)       | mm  | 3461 x 2400       |
| Weight                   | ton | 24.5 – 27.7       |

### Grain size\*

|           |    |      |
|-----------|----|------|
| 9 knives  | mm | <450 |
| 12 knives | mm | <300 |
| 14 knives | mm | <200 |
| 16 knives | mm | <125 |

### Capacity per hour\*\*

|                  |     |           |
|------------------|-----|-----------|
| Household waste  | ton | Up to 200 |
| Demolition wood  | ton | Up to 100 |
| Industrial waste | ton | Up to 50  |
| Bulky waste      | ton | Up to 70  |

\* 90% less than \*\* Depending on loading, grain size and density of the input material



FOR MORE INFORMATION, CONTACT  
YOUR LOCAL M&J REPRESENTATIVE,  
OR CONTACT YOUR DEALER DIRECTLY.

[MJRECYCLING.COM](https://www.mjrecycling.com)

M&J | Vejlevej 5 | DK-8700 Horsens | Tel: +45 7626 6400 | [sales@mjrecycling.com](mailto:sales@mjrecycling.com)

The information in this document is provided for guidance only and as is without warranty of any kind, either express or implied, including but not limited to the implied warranties of merchantability, fitness for a particular purpose or non-infringement. Information in this document may include information not appropriate to specific configurations, or information which has not been updated. M&J Recycling has the right to make changes in the document without notice. Not all products or services are available in all countries. In no event shall M&J Recycling be liable for any damages. We reserve the right to make changes and improvements without notice. "M&J 6000S PreShred 6000S, UK". M&J Recycling, september 2021.